



FTC

FTC SWITCHGEAR PVT. LTD.

AN ISO 9001:2015 COMPANY







Onload Changeover Switch

Quick Cubi...

Functions

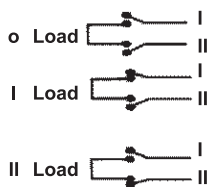
FTC Quick Cubi... are manually controlled **ONLOAD CHANGEOVER SWITCHES**. They Operate as changeover, giving three stable positions (I, O & II) and help in changeover from one supply source to another.

General Characteristics

The ideal conception in Quick Cubi Changeover Switches incorporate the following advantages:-

- Three stable positions (I, O & II) and possible changeover from one to the other while functioning.

Positions:-



- - Circuits I and II open (Neutral Position)
- I - Circuit-I close and circuit II open (transformer supply "ON" and generator supply "OFF")
- II - Circuit I open and circuit II close generator supply "ON" and transformer supply "OFF"

Contact System :-

- Safety of division : Clearly apparent operation.
- High thermal and dynamic strength to withstand rated fused short circuit current level 80KA rms.
- Is a switching control of two independent circuits (Circuit I closing / Circuit II opening and vice versa).
- Is rated for AC 23A utilisation category

Application

- The FTC Quick Cubi... Changeover switches are especially designed for control and disconnection of all kinds of circuits-distribution feeders / motor loads.
- By mean of manual operation, changeover performs circuit switching and are mainly used as a switching / control of two independent circuit (Circuit closing / circuit II opening and vice versa).



Design

Changeover Switches are manufactured from FTC moulded case on load changeover switches with single handle arrangement. The switch frames are side by side for 63A or back to back 63A-1250A. The whole range is manually operated.

Conformity

IS 13947 - Parts 3
IEC 947 - 3, IEC 664

Auxiliary Contacts

The auxiliary contacts are "CO" type they provide positions signalization or pre-break control.



Onload

Change Over Switch, Load Break Switch, By Pass Switch

Onload Changeover Switch

Quick Cubi....



Frame Size	Amp.	Open Execution Cat No.	With Steel Enclosures Cat No.
00	63	OCS00-63	OCS00-63F
00	80	OCS00-80	OCS00-80F
00	100	OCS00-100	OCS00-100F
01	100	OCS01-100	OCS01-100F
01	125	OCS01-125	OCS01-125F
01	160	OCS01-160	OCS01-160F
01	200	OCS01-200	OCS01-200F
02	250	OCS02-250	OCS02-250F
02	320	OCS02-320	OCS02-320F
03	400	OCS03-400	OCS03-400F
03	630	OCS03-630	OCS03-630F
04	800	OCS04-800	OCS04-800F
05	1000	OCS05-1000	OCS05-1000F
05	1250	OCS05-1250	OCS05-1250F

Load Break Switch

Quick Cubi....



Frame Size	Amp.	Open Execution Cat No.	With Steel Enclosures Cat No.
00	63	LBS00-63	LBS00-63F
00	80	LBS00-80	LBS00-80F
00	100	LBS00-100	LBS00-100F
01	100	LBS01-100	LBS01-100F
01	125	LBS01-125	LBS01-125F
01	160	LBS01-160	LBS01-160F
01	200	LBS01-200	LBS01-200F
02	250	LBS02-250	LBS02-250F
02	320	LBS02-320	LBS02-320F
03	400	LBS03-400	LBS03-400F
03	630	LBS03-630	LBS03-630F
04	800	LBS04-800	LBS04-800F
05	1000	LBS05-1000	LBS05-1000F
05	1250	LBS05-1250	LBS05-1250F

By Pass Switch

Quick Cubi....



Frame Size	Amp.	Open Execution Cat No.	With Steel Enclosures Cat No.
00	63	BPS00-63	BPS00-63F
00	80	BPS00-80	BPS00-80F
00	100	BPS00-100	BPS00-100F
01	100	BPS01-100	BPS01-100F
01	125	BPS01-125	BPS01-125F
01	160	BPS01-160	BPS01-160F
01	200	BPS01-200	BPS01-200F
02	250	BPS02-250	BPS02-250F
02	320	BPS02-320	BPS02-320F
03	400	BPS03-400	BPS03-400F
03	630	BPS03-630	BPS03-630F
04	800	BPS04-800	BPS04-800F
05	1000	BPS05-1000	BPS05-1000F
05	1250	BPS05-1250	BPS05-1250F



Onload Changeover Switch

Quick Cubi....

Change Over Switch

Range :

63A to 1250A, 415V AC, 4 Pole, AC23A

Quick Cubi... Changeover Switches find a wide application scope wherever the reliability of electrical supply from the utilities is low and are used in lighting / motor circuits wherever continuity of supply is necessary, for switching to an alternative source from main supply and vice versa, They are switch disconnectors with independent manual operation capable of making, carrying and breaking currents under normal circuit conditions such as those of short circuit for a specified time. These switches are modular in construction, compact in size and suitable for stringent utilization category AC-23 A/B.

Specifications :

IS 13947-1 & 3 / IEC 60947-1 & 3

Salient Features :

- Compact size, Quick make & Quick Break mechanism.
- High electrical & mechanical life.
- Enclosed housing to avoid dust ingress.
- Load and Line reversibility.
- Provision of phase separators, add-on auxiliary switch.
- Door interlock and padlock facility.
- Silver Plated Current carrying parts.
- Bolt Holders installed on terminals for Easy Cables / Bus Part Termination.
- Flexibility for termination of supply.
- Compaq standard size Range 63A -1250A as compared to leading indigenous make. So, it saves panel space & cost.





Electrical & Mechanical Characteristics

(Technical Data For On Load Changeover Switches) Ref. To IEC 664, IEC 947 (3)
& IS : 13947 (Part 1 & 3) - 1993

SPECIFICATION

CURRENT RATING

FRAME SIZES	00			01			
Thermal Current (I _{th}) 40°C	63A	80A	100A	100A	125A	160A	200A
Max. Normal rating of fuses	63	80	100	100	125	160	200
Insulation voltage UI (Vac)	800	800	800	800	1000	1000	1000
Dielectric Strength (Vac) 50 Hz 1 minute	4000	4000	4000	5000	5000	5000	5000
Impulse voltage (KV)	6	6	6	6	6	6	6

Rated Operational Current I_e (A)

415 Vac: AC 23A	63	80	100	100	125	160	200
500 Vac: AC 23A	55	55	55	55	80	80	80
220V dc: DC 21A	63	80	100	100	125	160	200
220V dc: DC 22A	63	80	100	100	125	160	200
220V dc: DC 23A	63	63	63	63	125	125	125
440V dc: DC 21A	63	80	100	100	125	125	125
440V dc: DC 22A	63	80	100	100	125	125	125
440V dc: DC 23A	63	63	63	63	125	125	125

Motor Power (KW) 415A

415 Vac without pre break Aux. Contact	30	30	30	30	63	70	80
500 Vac without pre break Aux. Contact	30	30	30	30	60	63	63
690 Vac without pre break Aux. Contact	22	22	22	22	50	55	55
415 Vac with pre break Aux. Contact	30	30	30	30	63	63	80
500 Vac with pre break Aux. contact	30	30	30	30	70	70	80
690 Vac with pre break Aux. contact	35	35	35	35	100	100	110
Motor Reactive 415V AC (kVAR)	25	25	25	25	50	59	60

Overload Capacity

Short Circuit Current with fuses (kA RMS)	80	80	80	80	80	80	80
Fuse Rating	63	80	100	100	125	160	200
Peak Short Circuit Making Capacity (kA RMS)	15	15	15	20	20	20	20
Admissible short time current 1 sec (kA RMS)	5	5	5	7	7	7	7

Making & Breaking Characteristics

Breaking Capacity (A RMS) 415 Vac pf=0.35	504	640	800	800	1000	1280	1600
Making Capacity (A RMS) 415 Vac pf=0.35	630	800	1000	1000	1250	1600	2000

Endurance

Mechanical No. of Operations	10000	10000	10000	8000	8000	8000	8000
Electrical No. of Operations	2500	1500	1500	1000	1000	1000	1000
Operating Torque (N-m)	3.5	3.5	3.5	9.5	9.5	9.5	9.5

Connection

Min. Cu Cable / Bus Bar Size (mm ²)	16	25	35	35	50	70	95
Min. Al Cable / Bus Bar Size (mm ²)	25	25X2	25X2	25X2	70	75	150



Electrical & Mechanical Characteristics

(Technical Data For On Load Changeover Switches) Ref. To IEC 664, IEC 947 (3)
& IS : 13947 (Part 1 & 3) - 1993

SPECIFICATION

CURRENT RATING

FRAME SIZES	02		03		04	05	
Thermal Current (Ith) 40°C	250A	320A	400A	630A	800A	1000A	1250A
Max. Normal rating of fuses	250	320	400	630	800	1000	1250
Insulation voltage UI (Vac)	1000	1000	1000	1000	1000	1000	1000
Dielectric Strength (Vac) 50 Hz 1 minute	5000	5000	8000	8000	8000	8000	10000
Impulse voltage (KV)	8	8	12	12	12	12	12

Rated Operational Current Ie (A)

415 Vac: AC 23A	250	320	400	630	800	1000	1000
500 Vac: AC 23A	200	200	200	200	400	630	800
220V dc: DC 21A	250	250	250	250	800	1000	1250
220V dc: DC 22A	250	250	250	250	800	1000	1250
220V dc: DC 23A	200	200	200	200	800	1000	1250
440V dc: DC 21A	200	200	200	200	800	1000	1250
440V dc: DC 22A	200	200	200	200	800	1000	1250
440V dc: DC 23A	200	200	200	200	800	1000	1250

Motor Power (KW) 415A

415 Vac without pre break Aux. Contact	132	160	200	200	450	560	560
500 Vac without pre break Aux. Contact	140	200	200	220	450	560	560
690 Vac without pre break Aux. Contact	90	150	150	150	185	400	400
415 Vac with pre break Aux. Contact	132	160	220	355	450	560	710
500 Vac with pre break Aux. contact	160	220	280	355	550	710	710
690 Vac with pre break Aux. contact	110	220	220	295	475	600	600
Motor Reactive 415V AC (kVAR)	100	125	150	2X125	2X150	3X150	4X125

Overload Capacity

Short Circuit Current with fuses (kA RMS)	80	80	80	80	80	80	80
Fuse Rating	250	315	400	630	800	1000	1250
Peak Short Circuit Making Capacity (kA RMS)	30	45	45	45	55	105	105
Admissible short time current 1 sec (kA RMS)	13	13	13	13	26	50	50

Making & Breaking Characteristics

Breaking Capacity (A RMS) 415 Vac pf=0.35	2000	2520	3200	5040	6400	8000	8000
Making Capacity (A RMS) 415 Vac pf=0.35	2500	3150	4000	6300	8000	10000	10000

Endurance

Mechanical No. of Operations	8000	5000	5000	5000	4000	4000	4000
Electrical No. of Operations	1000	1000	1000	1000	500	500	500
Operating Torque (N-m)	11	11	17	17	40	40	40

Connection

Min. Cu Cable / Bus Bar Size (mm ²)	120	185	30X5X2	40X5X2	50X5X2	60X5X2	80X5X2
Min. Al Cable / Bus Bar Size (mm ²)	185	240	30X8X2	40X8X2	50X8X2	50X10X2	63X12X2

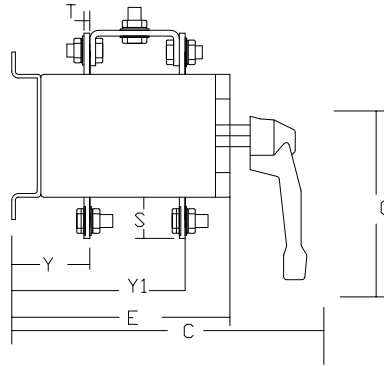
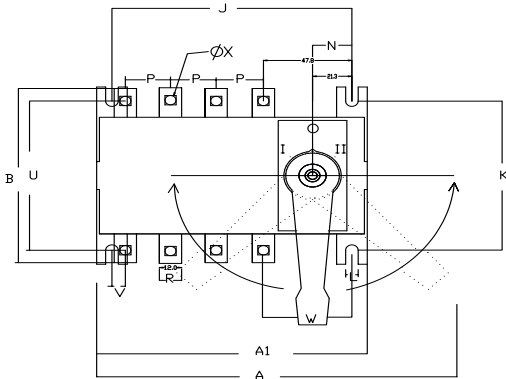


Onload Changeover Switch

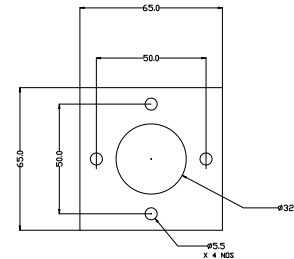
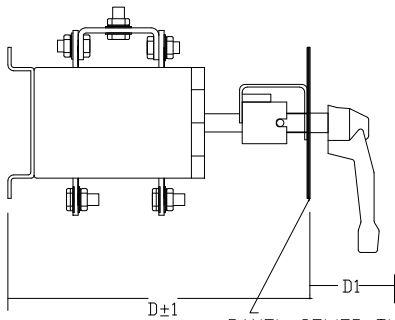
Quick Cubi...

TECHNICAL DATA DIMENSION DETAILS FOR ON LOAD CHANGEOVER SWITCH (SIZE 00)

Direct Front Operation



External Front Operation

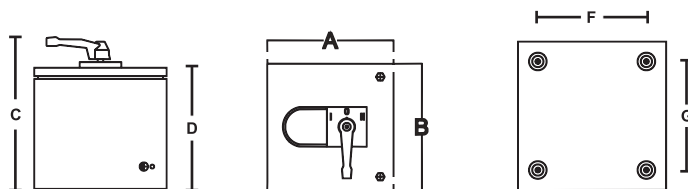


PANEL COVER THICKNESS 1.2 mm DOOR DRILLING FOR INTERLOCK ASSY. MOUNTING

OVER ALL DIMENSION									FIXING OF SW.					CONNECTION TERMINAL							SW. WT.		
RATING	A1	A1	B	C	D	D1	E	G	J	K	L	N	P	R	S	T	U	V	W	ØX	Y	Y1	Open Ex.
4x63	210	145	115	175	192	50	135	95	128	98	6.5	21.5	25.5	12	18	2.6	95	7	48	6.5	29	84	1.8 kg
4x80	210	145	115	175	192	50	135	95	128	98	6.5	21.5	28.0	14	18	2.6	95	3.5	44.5	6.5	29	84	1.9 kg
4x100	210	145	115	175	192	50	135	95	128	98	6.5	21.5	28.0	14	18	2.6	95	3.5	44.5	6.5	29	84	2.0 kg

All dimension in mm

TECHNICAL DATA DIMENSION DETAILS FOR ON LOAD CHANGEOVER SWITCH WITH STEEL SHEET ENCLOSURE



Current Amp.	CAT No.	A	B	C	D	F	G
63 Amp.	OCS-63 F	235	235	270	220	175	185
80 Amp.	OCS-80 F	235	235	270	220	175	185
100 Amp.	OCS-100 F	235	235	270	220	175	185



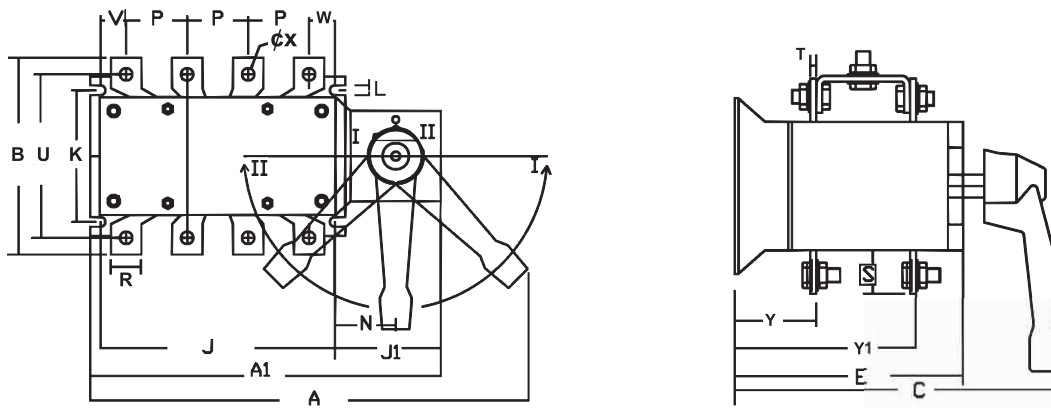


Onload Changeover Switch

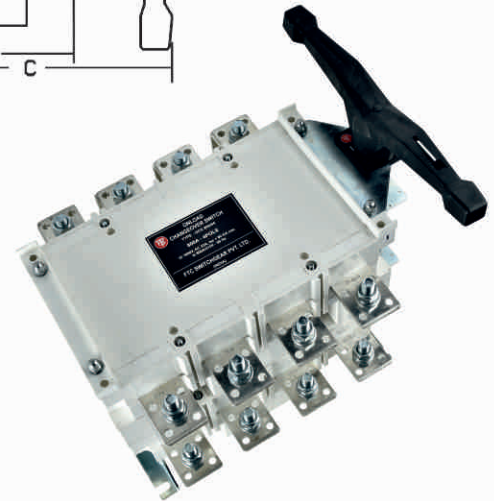
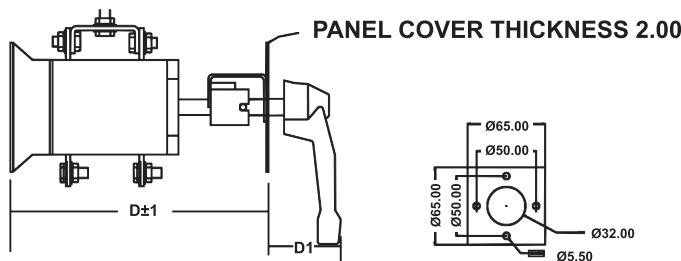
Quick Cubi....

TECHNICAL DATA DIMENSION DETAILS FOR ON LOAD CHANGEOVER SWITCH (SIZE 01, 02, 03, 04, 05)

Direct Front Operation



External Front Operation



FRAM		OVER ALL DIMENSION										FIXING OF SW.				CONNECTION TERMINAL								SW. WT.			
SIZE	RATING	A	A1	B	C	D	D1	E	G	J	J1	K	L	L	N	P	R	S	T	U	V	W	ØX	Y	Y1	Open	Ex.
01	4x100 Amp	310	232	135	218	232	65	152	117	160	58	95	7	7	26	36	18.5	25	3	115	25	25	6.5	56	123	3.5	kg.
01	4x125 Amp	310	232	142	218	232	65	152	117	160	58	95	7	7	26	45	22	28	3	118	12.5	12.5	8.5	56	123	4.0	kg.
01	4x160 Amp	310	232	155	218	232	65	152	117	160	58	95	7	7	26	48	25	35	3	123	7.5	7.5	10.5	56	123	5.0	kg.
01	4x200 Amp	310	232	155	218	232	65	152	117	160	58	95	7	7	26	48	25	35	4	123	7.5	7.5	10.5	56	123	5.0	kg.
02	4x250 Amp	363	285	192	238	249	65	172	117	218	62	111	7	7	27	64	32	46	4	153	6	12	10.5	62	140	7.0	kg.
02	4x320 Amp	363	285	192	238	249	65	173	130	218	63	111	7.5	7.5	27	64	32	46	4.5	152	7	13	10.5	62	140	7.3	kg.
03	4x400 Amp	480	362	235	307	320	80	242	155	271	81	179	8.75	8.75	45	73	40	40	5	205	26	26	12.5	84	195	14.0	kg.
03	4x630 Amp	480	362	270	307	320	80	242	155	271	81	179	8.75	8.75	45	80	55	55	5	230	14	14	14.5	84	195	17.0	kg.
04	4x800Amp	572	440	330	382	385	81	310	165	340	85	220	11	11	49	80	50	60	6	267	50	50	14.5	110	254	27.2	kg
05	4x1000Amp	700	575	340	382	385	81	310	165	474	85	220	11	11	49	120	63	65	6	273	63	50	--	110	254	35.3	kg
05	4x1250Amp	700	575	340	382	385	81	310	165	474	85	220	11	11	49	120	63	65	7	273	63	50	--	110	254	37.0	kg

All dimension in mm

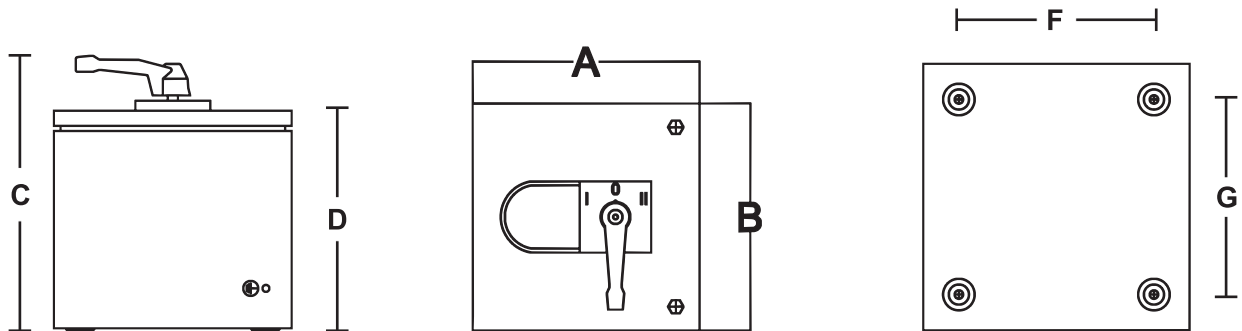


Onload Changeover Switch

Quick Cubi...

TECHNICAL DATA DIMENSION DETAILS FOR ON LOAD CHANGEOVER SWITCH WITH SHEET ENCLOSURE

WITH SHEET ENCLOSURE



Current Amp.	FRAM	A	B	C	D	F	G
4x100A	01	325	295	335	265	260	240
4x125A	01	325	295	335	265	260	240
4x160A	01	325	295	335	265	260	240
4x200A	01	325	295	335	265	260	240
4x250A	02	405	385	355	275	350	325
4x320A	02	405	385	355	275	350	325
4x400A	03	500	455	445	360	445	400
4x630A	03	500	455	445	360	445	400
4x800A	04	600	545	555	470	510	470
4x1000A	05	750	650	605	530	660	570
4x1250A	05	750	650	605	530	660	570

All Dimension in mm



Load Break Switch

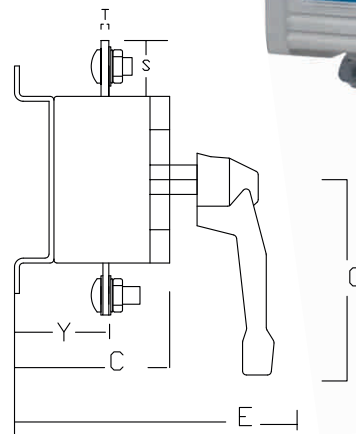
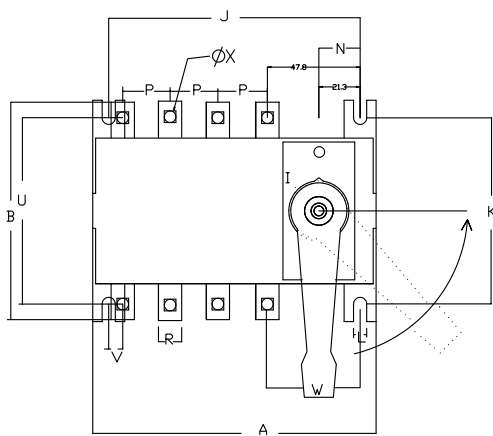
Quick Cubi...

TECHNICAL DATA DIMENSION DETAILS FOR LOAD BREAK SWITCH (SIZE 00)

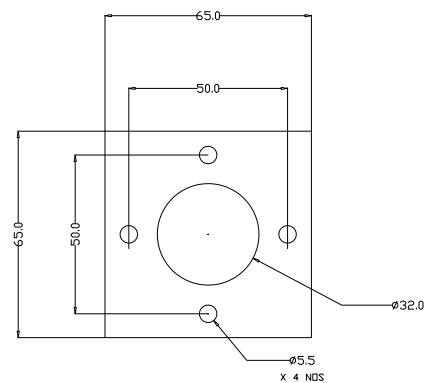
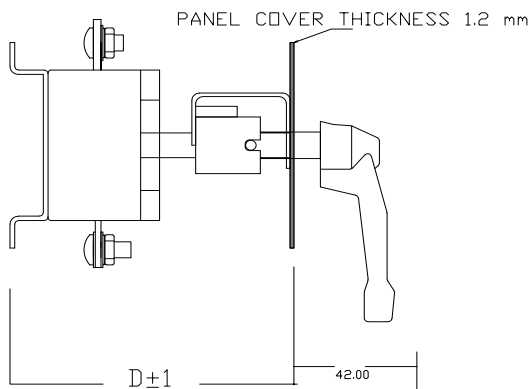
Range:

63A to 100A, 415V AC, 4 Pole, AC23A

Direct Front Operation



External Front Operation



FRAM SIZE	RATING POLE	OVER ALL DIMENSION						FIXING					CONNECTION TERMINAL							SW. WT.	
		A	B	C	D	E	G	J	K	L	N	P	R	S	T	U	V	W	ØW	Y	Open Ex.
00	63x4	145	115	76	138	120	95	128	98	6.5	21.5	25.5	12	18	2.6	95	7	48	6.5	29	1 kg.
00	80x4	145	115	76	138	120	95	128	98	6.5	21.5	28	14	18	2.6	95	3.5	44.5	6.5	29	1.1 kg.
00	100x4	145	115	76	138	120	95	128	98	6.5	21.5	28	14	18	2.6	95	3.5	44.5	6.5	29	1.1 kg.

All Dimension in mm



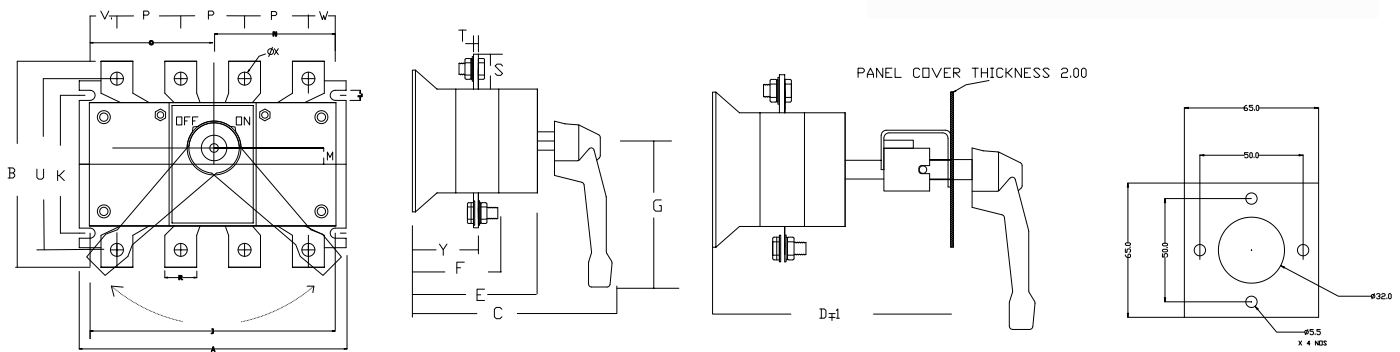
Load Break Switch

Quick Cubi....

TECHNICAL DATA DIMENSION DETAILS FOR LOAD BREAK SWITCH (SIZE 01, 02, 03, 04, 05)

100A- 1250A, 4 Pole, AC 23A, 415V

- Compact Design
- Quick make & quick break mechanism
- Unique safety handle with door pad locking
- Auxiliary contacts upto 2 No, 2NC
- Suitable for DC-23A, 260V, application without any derating
- Available in open execution and sheet steel enclosure
- Bolts holders for easy installation



FRAM SIZE	RATING POLE	OVER ALL DIMENSION						FIXING OF SWITCH					CONNECTION TERMINAL										SW. WT.	
		A	B	C	D	E	F	G	J	K	L	M	N	O	P	R	S	T	U	V	W	ØX	Y	Open Ex.
01	100x4	184	135	160	174	103	74	120	165	95	7.0	15	82.5	83	36	19	25	2.6	109	28	28	6.5	56	1.6 kg
01	125Ax4	184	142	160	174	103	74	120	165	95	7.0	15	83	83	45	22	28	3.0	118	14	14	8.5	56	1.8 kg
01	160Ax4	184	155	160	174	103	74	120	165	95	7.0	15	83	83	48	25	35	3.0	123	9	9	10.5	58	2.2 kg
01	200Ax4	184	155	160	174	103	74	120	165	95	7.0	15	83	83	48	25	35	4.0	123	9	9	10.5	58	2.2 kg
02	250Ax4	235	192	174	188	117	80	140	218	112	7.0	20	109	109	64	32	46	4.0	152	10	16	10.5	64	3.2 kg
02	320Ax4	235	192	174	188	117	80	140	218	112	7.0	20	109	109	64	32	46	4.5	152	10	16	10.5	64	3.4 kg
03	400Ax4	290	235	216	226	158	115	140	270	180	8.5	30	135	135	73	40	40	5.0	205	26	26	12.5	86	7.0 kg
03	630Ax4	290	270	216	226	158	115	140	270	180	8.5	30	135	135	80	55	55	5.0	230	13	13	14.5	86	8.0 kg
04	800Ax4	373	320	235	234	164	-	165	340	220	11	28	170	170	80	50	60	6.0	267	50	50	14.5	67	11.7 kg
05	1000Ax4	505	330	235	234	164	-	165	474	220	11	28	237	237	120	63	65	6.0	273	50	63	-	65	16.5 kg
05	1250Ax4	505	330	235	234	164	-	165	474	220	11	28	237	237	120	63	65	7.0	273	50	63	-	66	16.8 kg

All Dimension in mm

Electrical Characteristics as per On Load Changeover Switch



By Pass Switch

Quick Cubi....

Function

FTC Quick Cubi... On Load By Pass Switch connects normal supply to the loads in case stabilized source fails. It by passes the UPS / Servo Stabilizers in case of their failures and provides a means of connecting alternative supply to the load. By pass switch also ensure the isolation of up stream & down stream circuit in one operation.

Operation

BY PASS SWITCH is operated manually with double handle comfortably. It provides three stable position I, O & II

Selection of Position

- 0 Loads are open circuited.
- I Loads are connected to the stabilized supply.
- II Loads are connected to the normal supply.

Application

FTC By Pass Switch are designed to meet customers specific need in the IT companies where UPS & Servo Stabilizer provide main source of supply. In emergency normal supply can be made available to service without disturbing any installation and at the same time providing time for maintenance of UPS etc. without breakdown of service.

Utilisation Category

By Pass Switch are certified to AC-23A duty or utilisation Category.

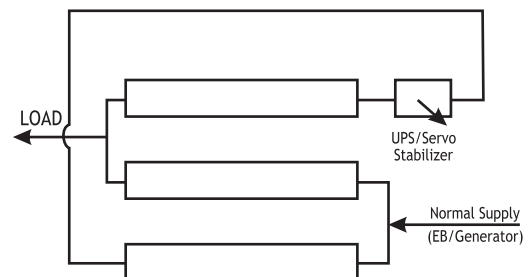
Auxiliary Contacts

Auxiliary contact 1 NO. NC or 2 NO. NC are fitted to provide indication whether stabilized supply connected or normal supply. They also provide signalisation or pre control.

Working Principle & Single Line Diagram Of By Pass Switch

When By Pass Switches is selected at position 'O' all the contacts of three Isolator are open circuited and provide total Isolator.

At Position 'I' both Isolator No. I and III are closed and stabilized supplies connected to the load. At position 'II' only Isolator II is closed and Isolator No. I & III are open this by passing UPS and connecting normal supply directly to load.





By Pass Switch

Quick Cubi...

By Pass Switch

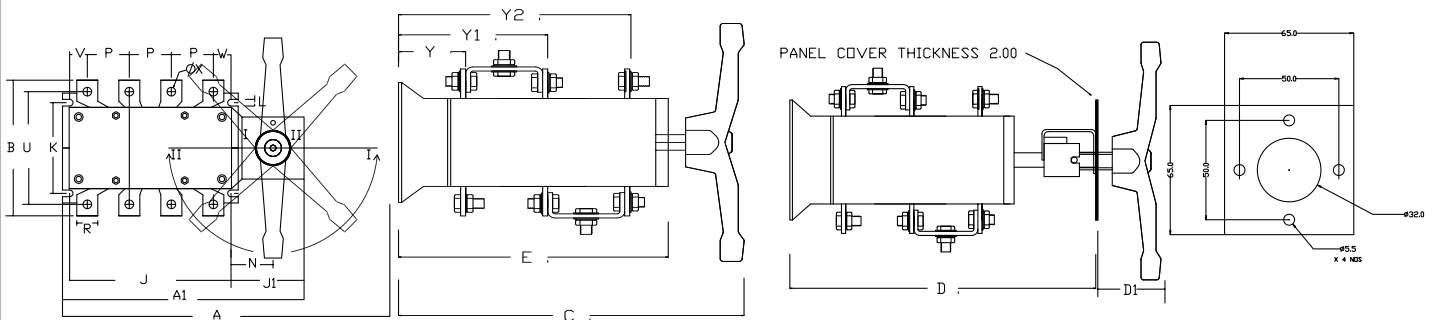
Salient Features :

- Range : 100A to 1250A, 415V, AC-23A
- By Pass Switch is designed to specific need in IT industry and applications where UPS and Servo stabilizer provides main source of supply.
- Presence of Arc chute plates enhances contact life
- Enhanced Mechanical & Electrical life
- Total safety : All moving and live parts covered



TECHNICAL DATA DIMENSION DETAILS FOR BY PASS SWITCH RANGE :

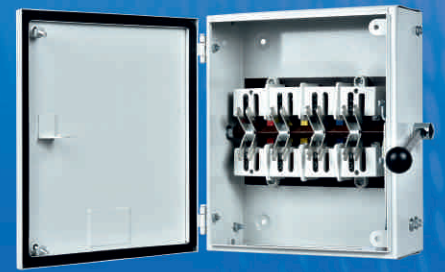
100A to 1250A, 415V AC, 4 Pole, AC23A



OVER ALL DIMENSION					FIXING OF SWITCH					CONNECTION TERMINAL										SW. WT.					
RATING	A	A1	B	C	D	D1	E	G	J	J1	K	L	N	P	R	S	T	U	V	W	ØX	Y	Y1	Y2	Open Ex.
4x100A	305	232	135	283	300	64	219	140	160	58	95	7.0	26	36	19	25	3.0	115	25	25	6.5	56	123	190	5.5 kg.
4x125A	305	232	142	283	300	64	219	140	160	58	95	7.0	26	45	22	28	3.0	118	13	13	8.5	56	123	190	6.0 kg.
4x160A	305	232	155	314	300	64	219	140	160	58	95	7.0	26	48	25	35	3.0	123	7.5	7.5	10.5	56	123	190	7.0 kg.
4x200A	305	232	155	314	300	64	219	140	160	58	95	7.0	26	48	25	35	4.0	123	7.5	7.5	10.5	56	123	190	7.0 kg.
4x250A	363	285	192	314	331	64	250	140	215	62	111	7.0	27	64	32	46	4.5	153	6	12	10.5	62	140	218	10.0 kg.
4x320A	363	285	192	417	331	64	250	140	212	63	111	7.5	27	64	32	46	4.5	152	7	13	10.5	62	140	218	10.5 kg.
4x400A	465	362	235	417	434	64	353	140	271	81	179	8.0	45	73	40	40	5.0	205	26	26	12.5	84	195	306	20.0 kg.
4x630A	465	362	270	417	434	64	353	140	271	81	179	8.8	45	81	55	55	5.0	230	14	14	14.5	84	195	306	26.0 kg.
4x800A	572	440	330	545	540	81	464	165	340	116	220	11	49	80	50	60	6	267	50	50	14.5	124	266	409	
4x1000A	705	572	340	545	540	81	464	165	474	116	220	11	49	120	63	65	6	273	63	50	--	124	266	409	
4x1250A	705	572	340	545	540	81	464	165	474	116	220	11	49	120	63	65	7	273	63	50	--	124	267	410	

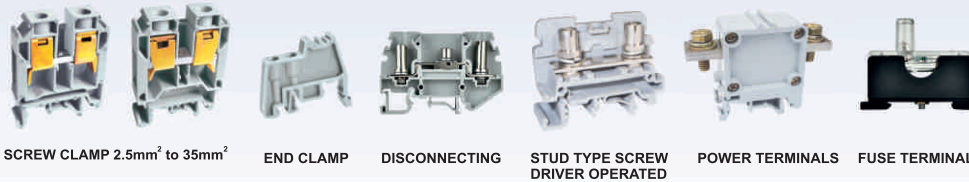
Electrical Characteristics as per on load Changeover switch

All Dimension in mm



OUR OTHER PRODUCT

TERMINAL BLOCKS POLYAMIDE



SCREW CLAMP 2.5mm² to 35mm² END CLAMP DISCONNECTING STUD TYPE SCREW DRIVER OPERATED POWER TERMINALS FUSE TERMINAL

TERMINAL BLOCKS MELAMINE



SCREW CLAMP 2.5mm² to 35mm² DISCONNECTING STUD TYPE SCREW DRIVER OPERATED STUD TYPE NUT DRIVER OPERATED POWER TERMINALS

CONTROL & SIGNALING DEVICES



PUSH BUTTON LUMINOUS PUSH BUTTON



MUSHROOM BUTTON SELECTOR SWITCH PUSH BUTTON



PILOT LAMP BULB & LED CONTACT ELEMENT



PUSH BUTTON CONTROL STATIONS UPTO 4 WAY

HRC FUSE BASES & LINKS



CYLINDRICAL FUSE LINK TOGGLE SWITCH TERMINAL STRIPS ROTARY SWITCH CURRENT TRANSFORMER FUSE PULLER AMMETER'S & VOLTMETER'S



CYLINDRICAL FUSE LINK TOGGLE SWITCH TERMINAL STRIPS ROTARY SWITCH CURRENT TRANSFORMER FUSE PULLER AMMETER'S & VOLTMETER'S



METAL CLAD PLUGS & SOCKETS



INDUSTRIAL PLUG & SOCKETS



NEUTRAL LINK 32 AMP. to 400 AMP.



PANEL FAN FILTER & FINGER GUARD



OIL TIGHT LIMIT SWITCH



FOOT SWITCH



REVERSING SWITCH



JUNCTION BOX



ELECTRONIC HOOTER & BUZZER

MANUFACTURED BY

FTC SWITCHGEAR PVT. LTD.

email : ftcindia@gmail.com Website : www.ftcswitchgear.com